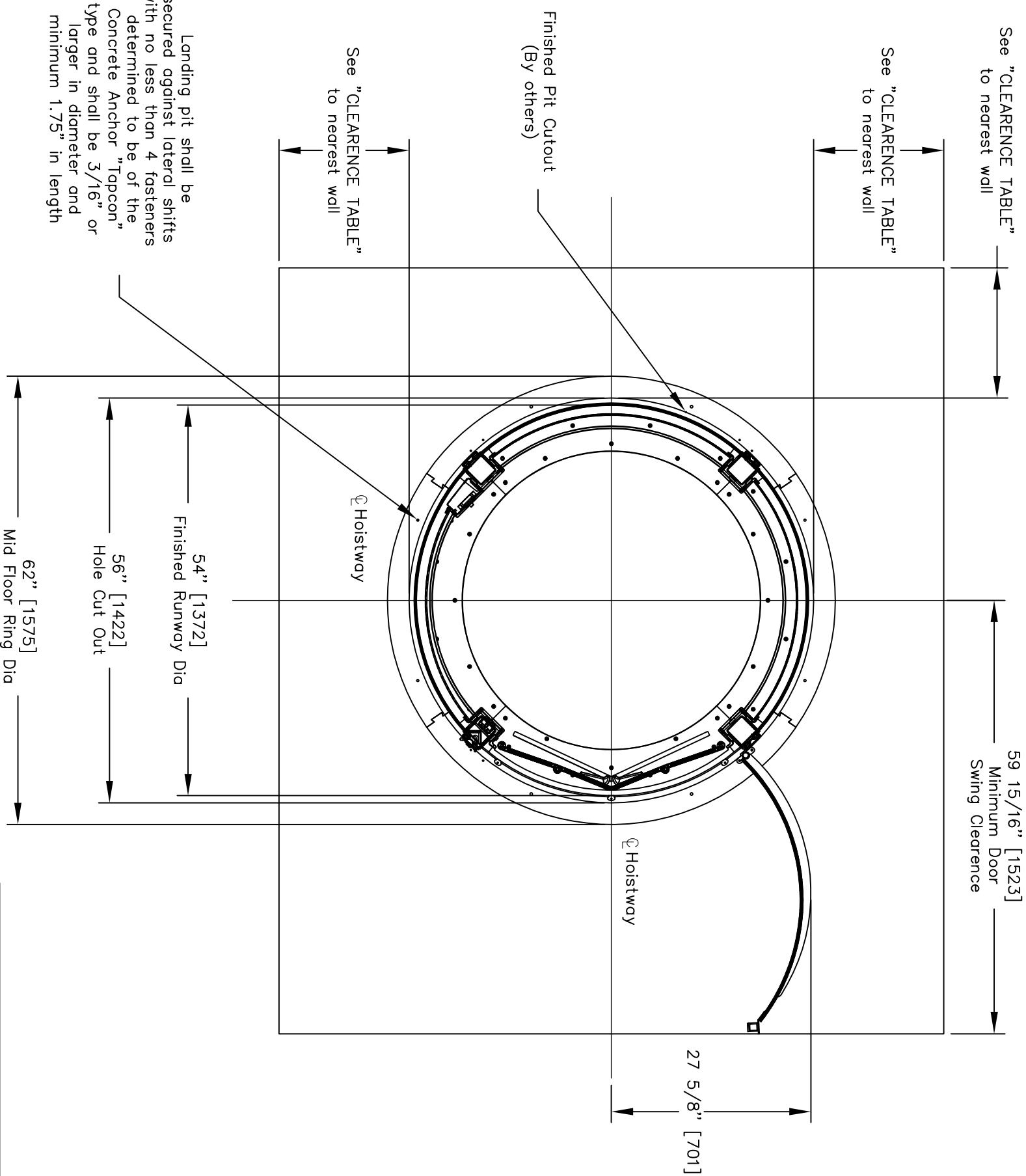


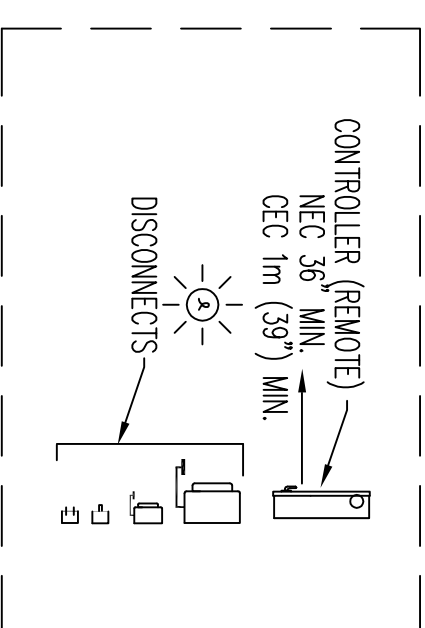
CLEARANCE TABLE		
1 - WALL	2 - WALL	3 - WALL
4"	18" TO BOTH WALL	18" TO ALL 3 WALL

PLAN VIEW



Landing pit shall be secured against lateral shifts with no less than 4 fasteners determined to be of the Concrete Anchor "Tapcon" type and shall be 3/16" or larger in diameter and minimum 1.75" in length

DISCONNECTS AND CONTROLLER (REMOTE)



PRELIMINARY DRAWING ONLY
DRAWING APPROVAL:

THIS DRAWING REFLECTS OUR INTERPRETATION OF THE INFORMATION PROVIDED BY THE DEALER ON THE ORDER FORM. THIS INFORMATION IS THE DEALER'S RESPONSIBILITY, AND IS THE BASIS FROM WHICH THIS LIFT IS DESIGNED AND MANUFACTURED. PLEASE INDICATE THE REQUESTED ACTION BY CHECKING ONE OF THE FOLLOWING BOXES AND SIGNING BELOW TO AUTHORIZE COMPLETION OF THIS ORDER.

- APPROVED WITH NO EXCEPTIONS
- MANUFACTURE PRODUCT AS PER DRAWING
- APPROVED WITH EXCEPTIONS, NO REAPPROVAL REQUIRED
- MAKE CHANGES AS NOTED, NO REAPPROVAL DRAWING REQUIRED
- CHANGE AS NOTED, REAPPROVAL REQUIRED
- MAKE CHANGES AS NOTED, SEND CORRECTED DRAWING FOR REAPPROVAL BEFORE MANUFACTURE

SIGNATURE: _____ DATE: _____

CHANGES REQUEST:

1. _____
2. _____
3. _____
4. _____

CAUTION: ONCE THE DRAWING IS APPROVED, JOB CANCELLATION FEES WILL APPLY

OFFICE USE ONLY:	Part No.	VUE LIFT
CONFIGURATION VERSION STAMP:	Variant No.	30009087
MODULE VERSION STAMP:		

CUSTOMER:	DATE:	10/20/17
PROJECT:	REVISION DATE:	12/04/2017
ADDRESS:	COMPLETED BY:	SC



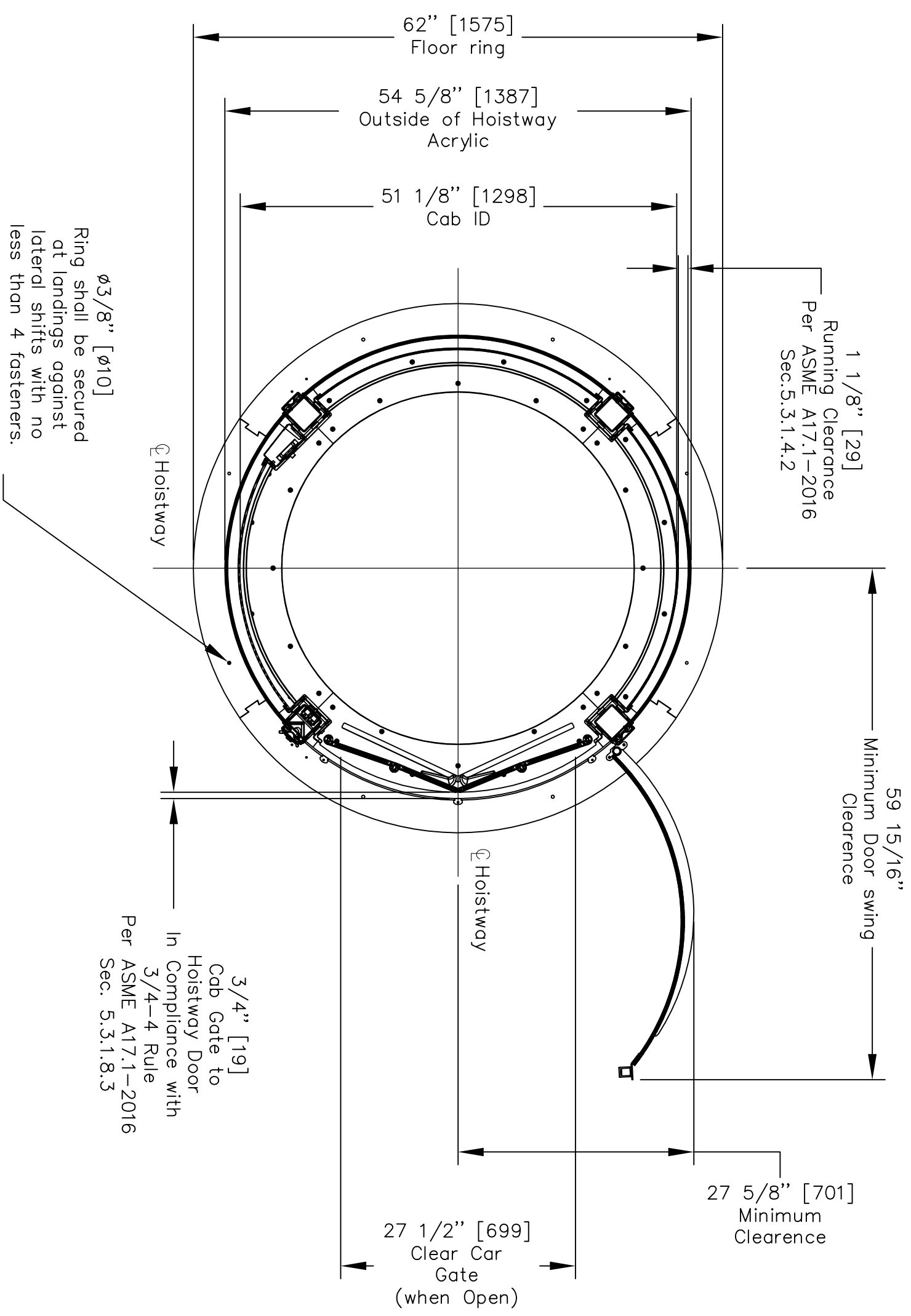
PLAN VIEW

JOB No.

SHEET No.

1 OF 6

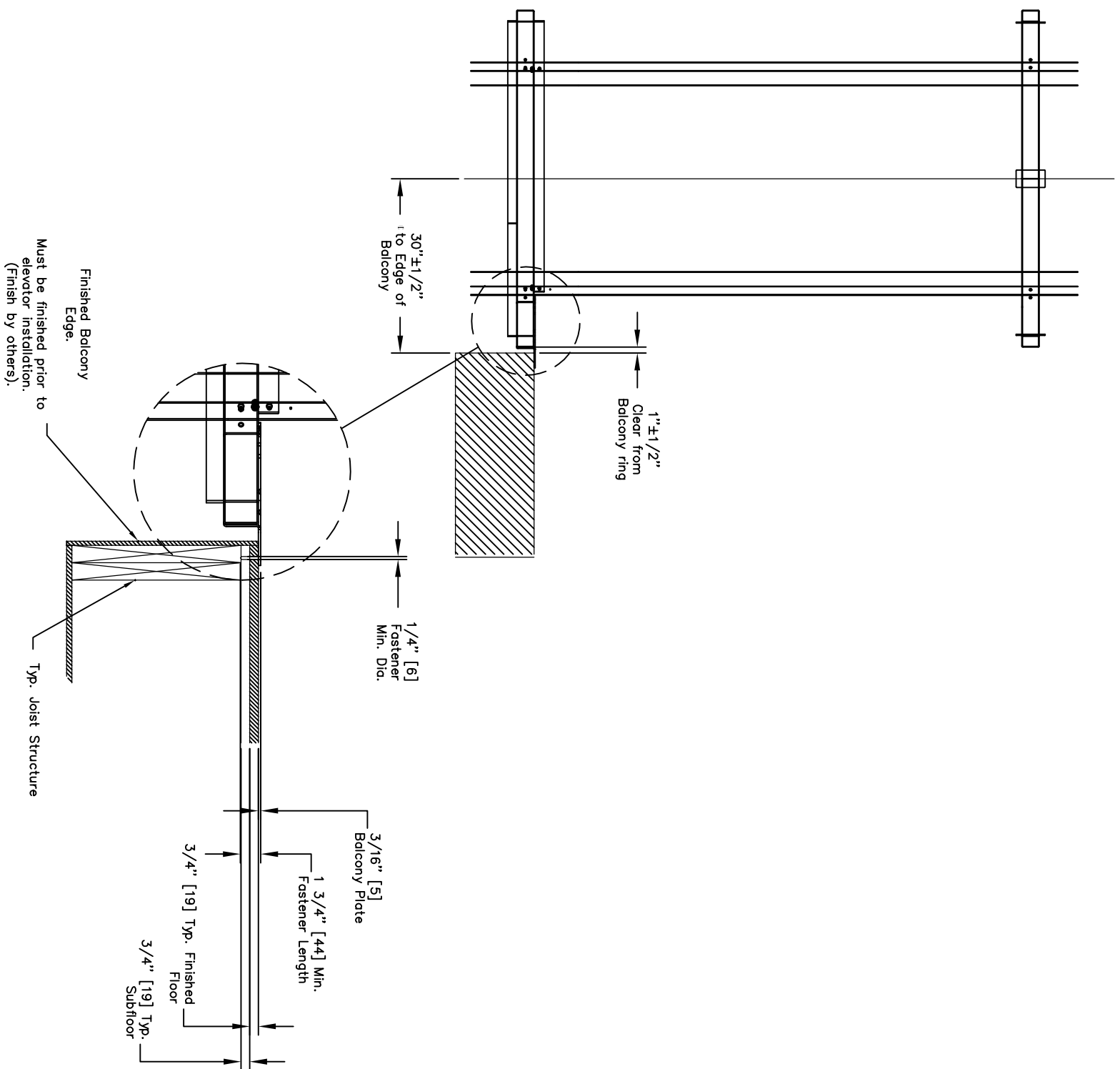
PIT/BOTTOM FLOOR/THRU FLOOR VIEW



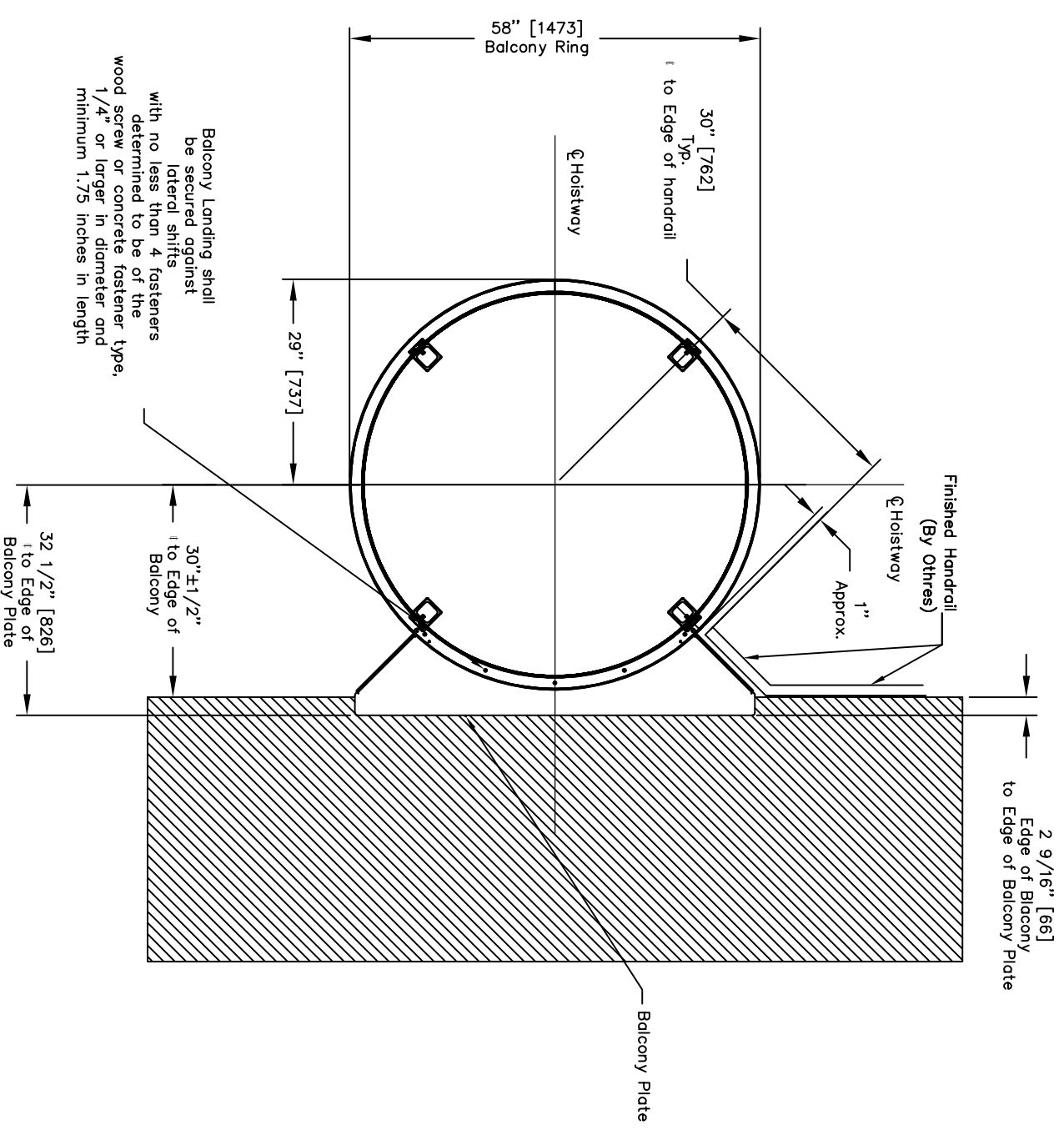
FLOOR VIEW

OFFICE USE ONLY:		Part No.	VUELIFT
CONFIGURATION VERSION STAMP:	0.0	Variant No.	P-000000
MODULE VERSION STAMP:	0.0	DATE:	10/20/17
CUSTOMER:		REVISION DATE:	12/04/2017
PROJECT:		COMPLETED BY:	SC
ADDRESS:		JOB No.	
		savaria ™	
		SHEET No. 2 OF 6	

ELEVATION VIEW-BALCONY ATTACHMENT



TOP VIEW BALCONY DETAIL



Elev : BALCONY DETAILS

OFFICE USE ONLY:	Part No.	VUELIFT
CONFIGURATION VERSION STAMP:	Variant No.	P-000000
MODULE VERSION STAMP:		0.0

CUSTOMER: _____

PROJECT: 10/20/17

REVISION DATE: 12/04/2017

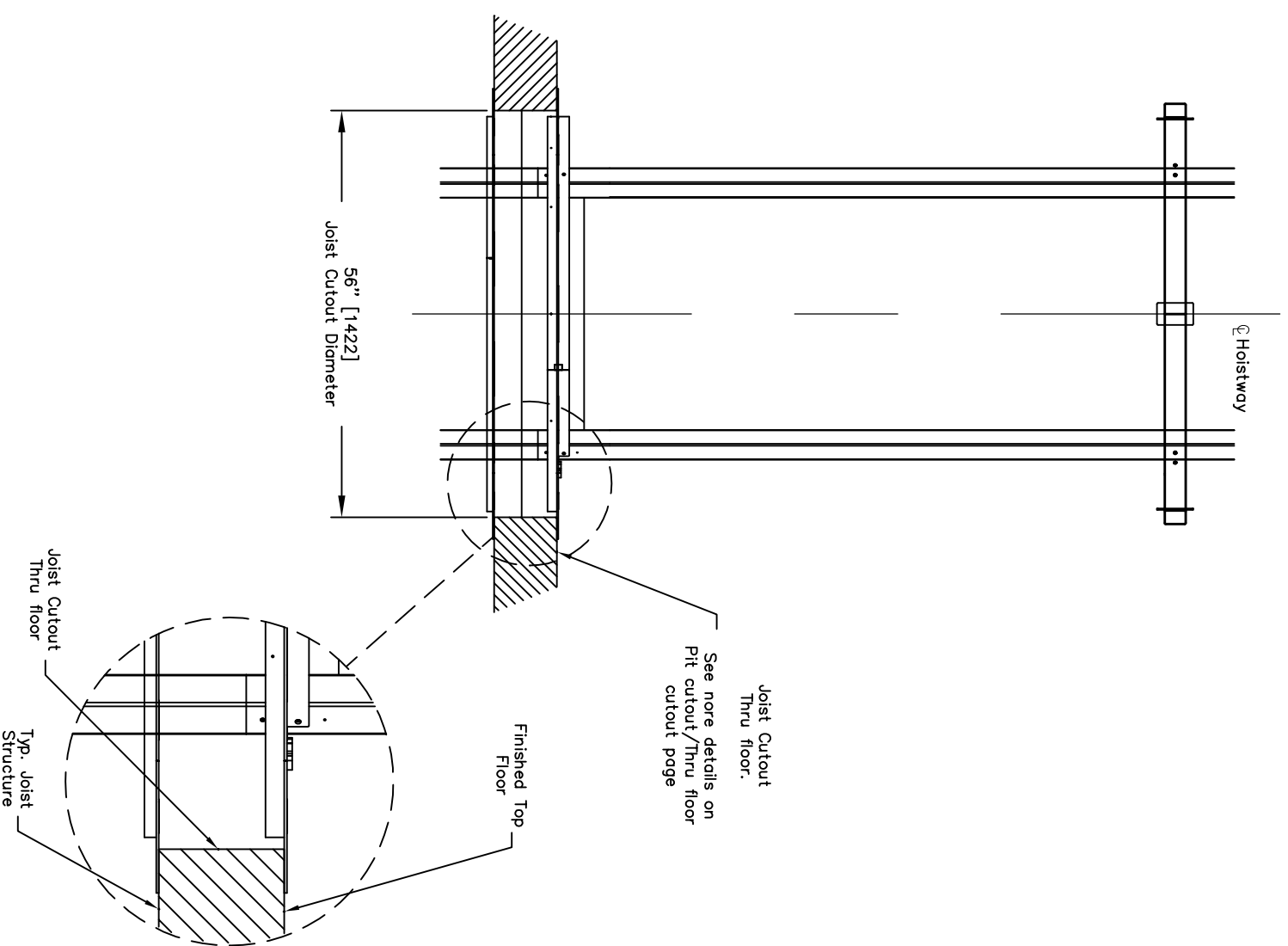
ADDRESS: _____

COMPLETED BY: _____

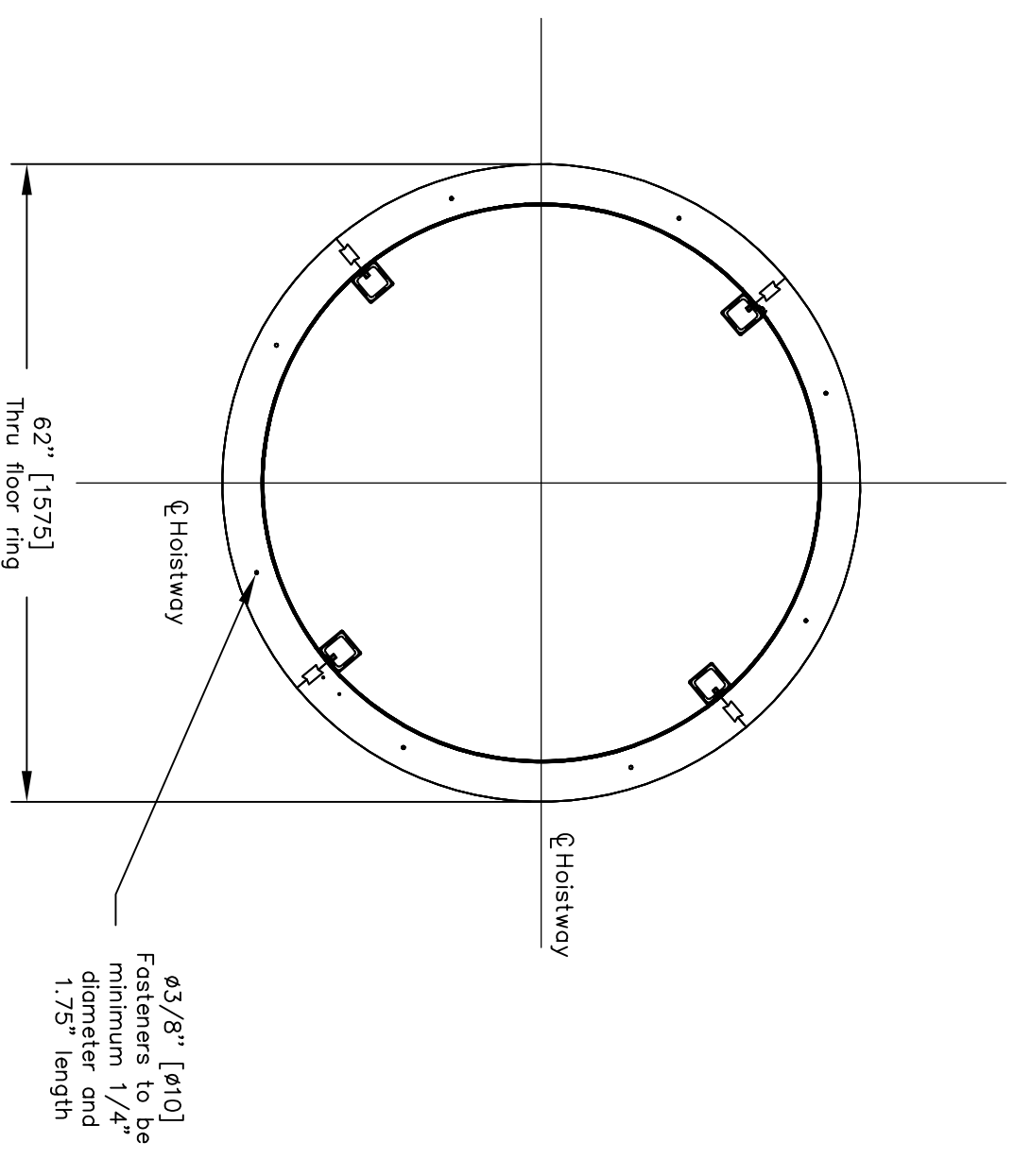


JOB No. _____

THRU FLOOR CONFIGURATION



THRU FLOOR PLAN VIEW



Elev : THRU FLOOR DETAILS

OFFICE USE ONLY:	Part No. VUELEIFT
CONFIGURATION VERSION STAMP: 0.0	Variant No. P-000000
MODULE VERSION STAMP: 0.0	

CUSTOMER:	DATE: 10/20/17
PROJECT:	REVISION DATE: 12/04/2017
ADDRESS:	COMPLETED BY: [Signature]

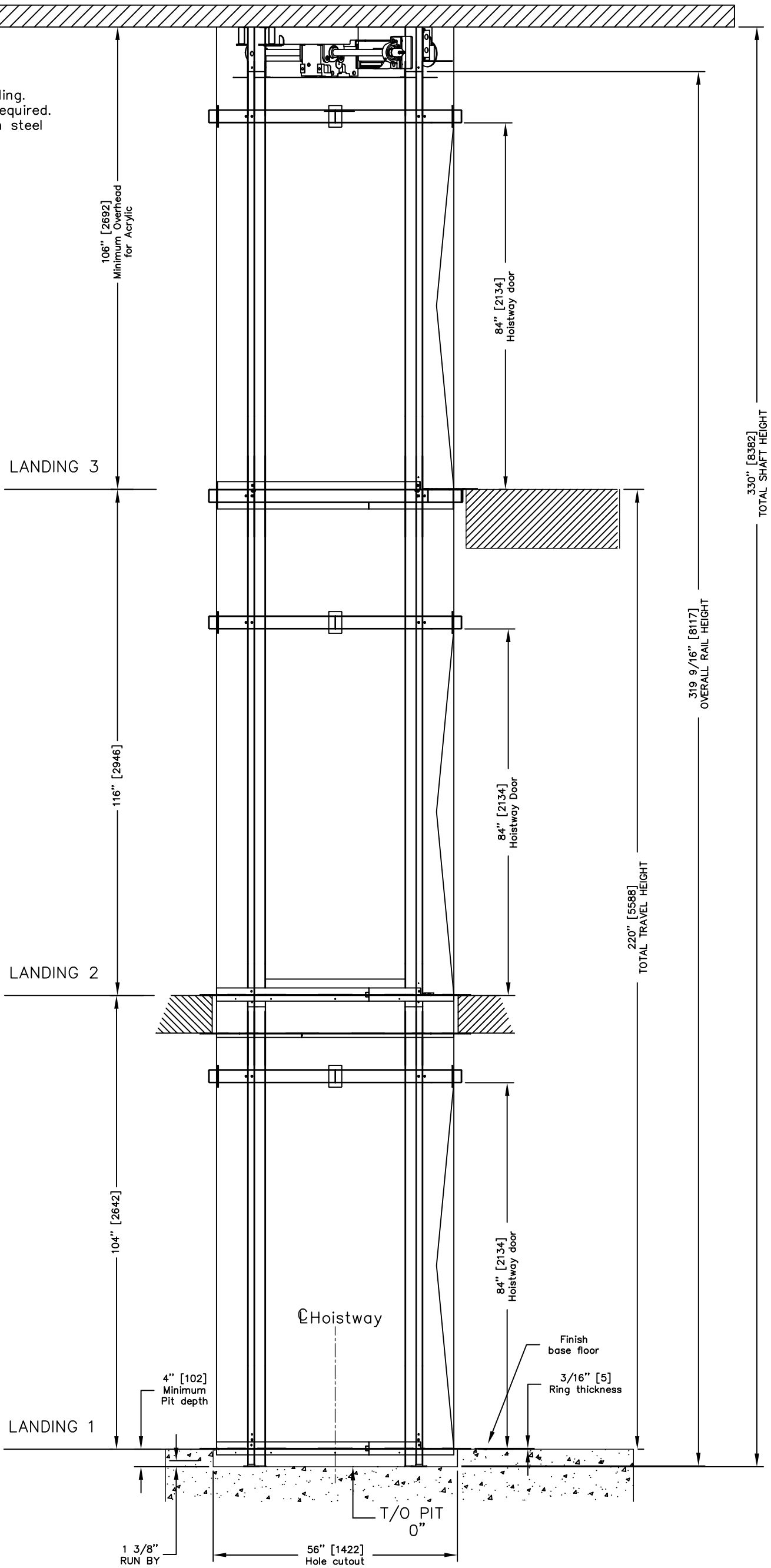


JOB No.

SHEET No. 3 OF 6

PLEASE NOTE:

NOTE: Unit does not attach to ceiling.
Lateral or vertical support is not required.
Drive machine is supported through steel structure.



PLEASE NOTE:

NOTE: No pit required with Short Ramp option.

ELEVATION VIEW

OFFICE USE ONLY:	
CONFIGURATION VERSION STAMP:	1.5
MODULE VERSION STAMP:	E-S-7.3.11

Part No.	VUE LIFT
Variant No.	30009087

CUSTOMER:	DATE: 10/20/17
PROJECT:	REVISION DATE: 12/04/2017
ADDRESS:	COMPLETED BY: SC
	JOB No.



SHEET No.	4 OF 6
-----------	--------

PROVISIONS BY OTHERS

*GENERAL

CONSTRUCTION SITE: OWNER/AGENT TO PROVIDE ALL MASONRY, CARPENTRY AND DRYWALL WORK AS REQUIRED. FLOORS SHALL BE IN FINISHED STATE PRIOR TO INSTALLATION OF UNIT.

DIMENSIONS: CONTRACTOR/CUSTOMER TO VERIFY ALL CLEARANCE DIMENSIONS PRIOR TO UNIT DELIVERY.

*STRUCTURAL

FLOOR LOADS: STRUCTURAL ENGINEER TO ASSURE THAT BUILDING WILL SAFELY SUPPORT ALL LOADS IMPOSED BY THE LIFT EQUIPMENT. REFER TO TABLES ON THIS DRAWING FOR PIT/FLOOR LOADS IMPOSED BY THE EQUIPMENT.

NOTE: PER ASME A17.1-2016 THE CLEARANCE BETWEEN THE HOISTWAY DOORS OR GATES AND THE HOISTWAY EDGE OF THE LANDING SILL SHALL NOT EXCEED 5IN. THE DISTANCE BETWEEN THE HOISTWAY FACE OF THE LANDING DOOR OR GATE AND THE CAR DOOR OR GAE SHALL NOT EXCEED 5IN.

*ELECTRICAL

POWER SUPPLY: (SEE SPECIFICATIONS BELOW) LOCKABLE FUSED DISCONNECTS INSTALLED IN COMPLIANCE WITH ELECTRICAL CODE TO BE PROVIDED PRIOR TO INSTALLATION. ROUGHED IN POWER TO LIFT UNIT MUST BE PROVIDED TO HEAD ASSEMBLY LOCATION PRIOR TO INSTALLATION.

PERMANENT POWER: BEFORE INSTALLATION CAN BEGIN, PERMANENT POWER MUST BE SUPPLIED.

*ENTRANCES

HANDRAILS: ALL BALCONY LEVELS REQUIRE HANDRAILS TO BE INSTALLED PER LOCAL CODES AFTER INSTALLATION IS COMPLETED. HANDRAIL AND INSTALLATION TO BE PROVIDED BY CONTRACTOR/CUSTOMER. VISIFLTC AND/OR LOCAL INSTALLER ARE NOT RESPONSIBLE FOR HANDRAIL INSTALLATION OR MATERIALS.

POWER SUPPLY SPECIFICATIONS	DISCONNECT SIZE	TIME DELAY FUSE SIZE	VOLTS	PHASE	AMPERAGE
MOTOR & EQUIP.	30 AMPS	30 AMPS	230	SINGLE	20.2 AMPS
CAB LIGHTS	15 AMPS	15 AMPS	115	SINGLE	

IF A TELEPHONE CIRCUIT IS REQUIRED (OPTION FOR ELEVATOR) JACK IS PROVIDED AND INSTALLED BY OTHERS. THIS CIRCUIT SHALL BE BROUGHT TO A LOCATION NEXT TO THE CONTROLLER AND BE AVAILABLE TO CONNECT AND TEST UPON ELEVATOR INSTALLATION.

*SCOPE OF WORK

INSTALLATION OF A VIELIFT ELEVATOR BY A JOURNEY LEVEL LICENSED CONVEYANCE MECHANIC, AND MEETS OR EXCEEDS THE APPLICABLE REGULATIONS OF ALL GOVERNING AGENCIES AND IS IN CONFORMANCE WITH THE APPLICABLE SECTIONS OF THE MOST CURRENT EDITION OF THE FOLLOWING CODES AND STANDARDS:

ASME A17.1 SECTION 5.3 - SAFETY CODE FOR ELEVATORS AND ESCALATORS;
PRIVATE RESIDENCE ELEVATORS.

NFPA 70-2008 THE NATIONAL ELECTRICAL CODE.

CSA B44.1/ASME A17.5 ELEVATOR AND ESCALATOR ELECTRICAL EQUIPMENT.

LOCAL CODES AND REGULATIONS, AS APPLICABLE.

AFTER INSTALLATION THE UNIT WILL BE INSPECTED BY AN INSPECTOR AS REQUIRED BY LOCAL LAWS.

GENERAL

CLASSIFICATION: Residential Building

APPLIED CODE: ASME 17.1-2016 SEC. 5.3

NEC 2008

WALLS: Full Clear Acrylic-Complies with ANSI Z97.1

NUMBER OF FLOORS: 3

MODEL: Round Acrylic

CAPACITY: 840 lbs. [381] kg]

NOMINAL SPEED: 32 fpm. [0.1626 m/s]

CAB FLOOR AREA: 11.91 Square Feet [1.11 sq.meters]

CAB INT HEIGHT: 84 Inches [2133 mm]

CAB WEIGHT: 700 lbs. [318kg]

TOTAL TRAVEL: 339 Inches

PIT DEPTH (OPTION): 4 Inches [102-305mm]

POWER SUPPLY: 50/60Hz Single Phase 230V

SAFETIES: 2 Type A Instantaneous Safeties in compliance with ASME A17.1 Sections 2.17.8.1 & 1.17.5.1

Mfg: Savaria P/N: VL581001-01

SUSPENSION:

TYPE: Galvanized Aircraft Cable 2x3/8" dia

CONSTRUCTION: IMRC 7 x 19 RHRL

NOMINAL STRENGTH: 14,400 lbs. [6531 kg]

WT. OF ROPES: 0.243 lbs/ft [3.616 g/cm]

TRAVEL CABLE WT: 0.228 lbs/ft [3.393 g/cm]

DRIVETRAIN:

TYPE: Winding Drum

MOTOR: 1.5 HP with Integrated Brake

TRANSMISSION: Ultra-Low Vibration 3-Stage Right Angle Helical-Bevel Drive

MOTOR CONTROL: Pre-Programmed Variable Freq. Drive

DOOR INTERLOCKS: Honeywell RDI-G-L5B certified in compliance with

ASME A17.1 Sections 2.12.4.3

PIT/FLOOR LOAD: (ft of Travel*38) + (# of Floors*60) + 2193 Dead Load (lbs)

(m of Travel*57) + (# of Floors*27.22) + 995 Dead Load (kg)

PIT FLOOR TO SUPPORT LOAD OF:	1600 kg	[3530 lbs]
IMPACT LOAD:	1680 kg	[3703 lbs]

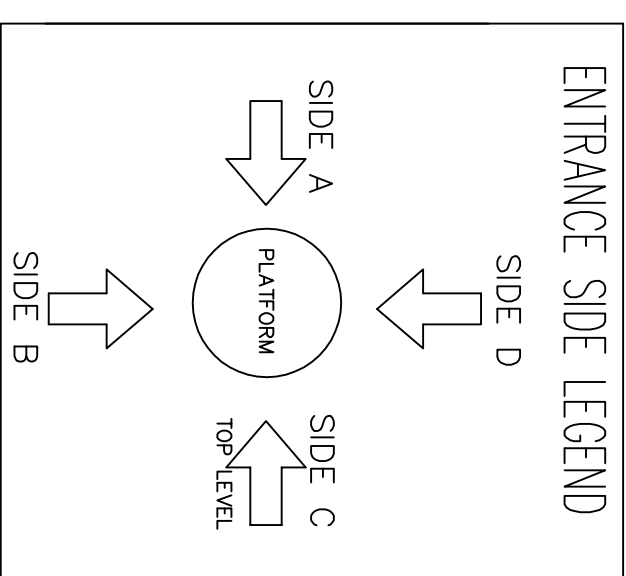
LANDING CHART

DOOR TYPE	LANDING 1	LANDING 2	LANDING 3	LANDING 4	LANDING 5	LANDING 6
ENTRANCE SIDE	SWING	DOOR	SWING	DOOR	SWING	DOOR
DOOR SWING	C	C	C	NA	NA	NA
LOOK TYPE	RH SWING	RH SWING	RH SWING	NA	NA	NA
HALL CALL KEY SWITCH	HONEYWELL	HONEYWELL	HONEYWELL	NA	NA	NA
FLOOR MARKING	NO	NO	NO	NA	NA	NA
LANDING CONFIGURATION	1 PIT	2 THRU FLOOR	3 BALCONY	NA	NA	NA

OPTIONS:

BUFFER SPRING: No

COLOR: Texture Black (std) PX622N365

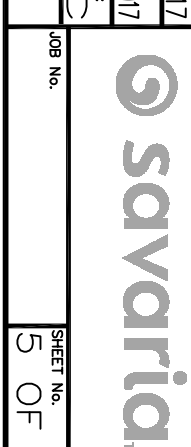


DATA SHEET

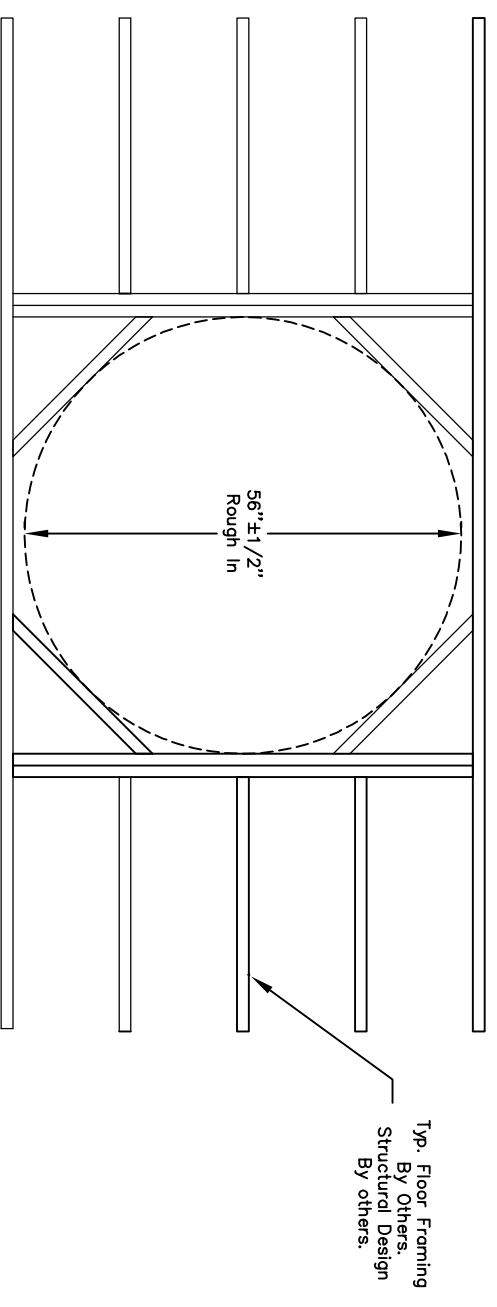
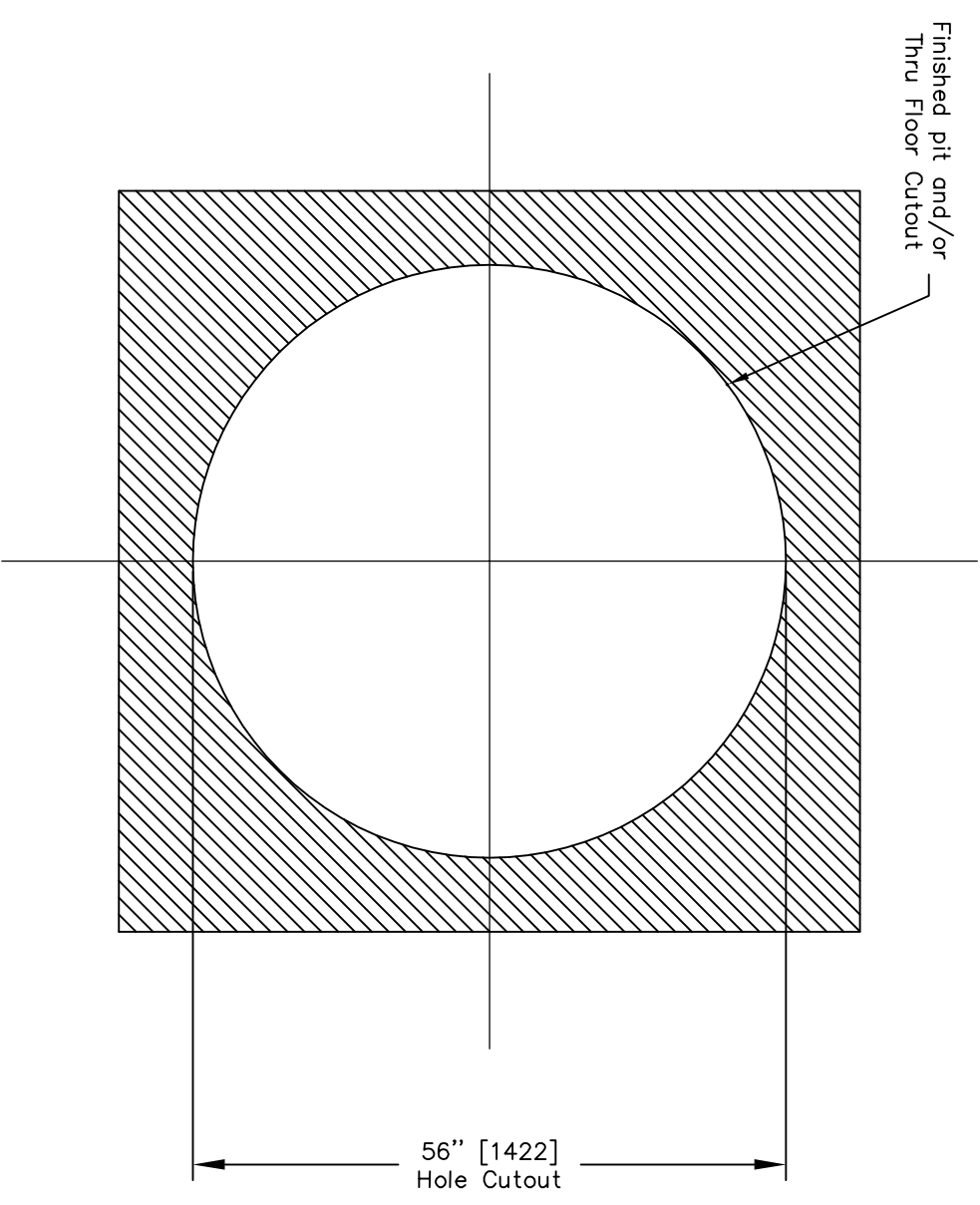
OFFICE USE ONLY:	
CONFIGURATION VERSION STAMP:	1.5
MODULE VERSION STAMP:	E-S1311

Part No.	VUELIFT
Variant No.	30009087

CUSTOMER:	
PROJECT:	10/26/17
ADDRESS:	12/04/2017
DATE:	10/26/17
REVISION DATE:	12/04/2017
COMPLETED BY:	S.C.



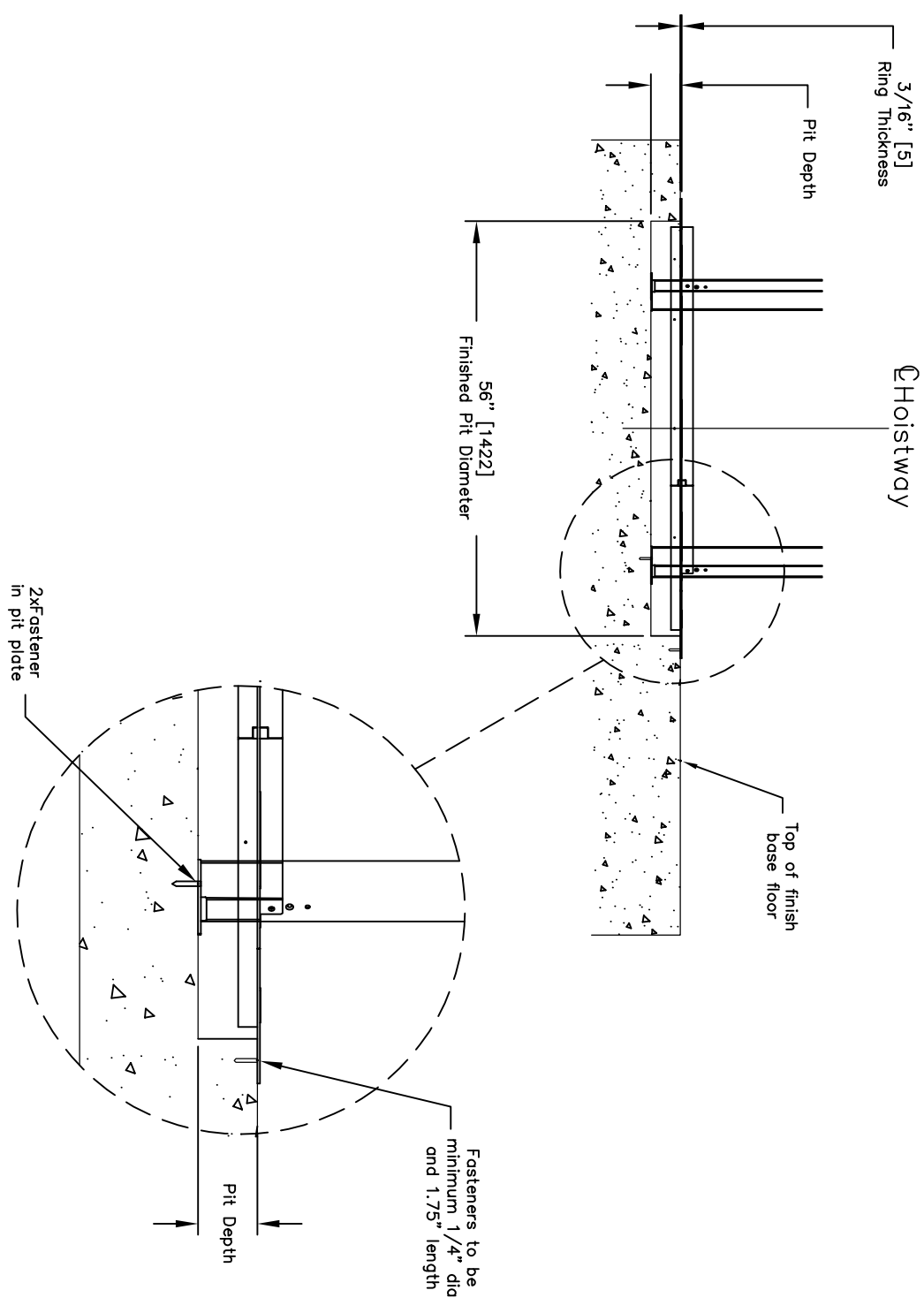
PLAN VIEW PIT CUTOUT / THRU FLOOR CUTOUT



NOTE:
PIT OPTION ROUGH IN AND FINISHED
DIMS. ARE IDENTICAL TO THRU-FLOOR
ROUGH IN AND FINISHED DIMS.

CLEARANCE FROM ADJACENT WALLS
TO EDGE OF HOLE/PIT MUST BE
MINIMUM 18" ON ALL SIDES.

PIT CUTOUT DETAIL



PIT CUTOUT AND THRU FLOOR CUTOUT

OFFICE USE ONLY:		Part No.	VUELIFT
CONFIGURATION VERSION STAMP:	0.0	Variant No.	P-000000
MODULE VERSION STAMP:	0.0	DATE:	10/20/17
CUSTOMER:		REVISION DATE:	12/04/2017
PROJECT:		COMPLETED BY:	SC
ADDRESS:		JOB No.	
		SHEET No. 6 OF 6	