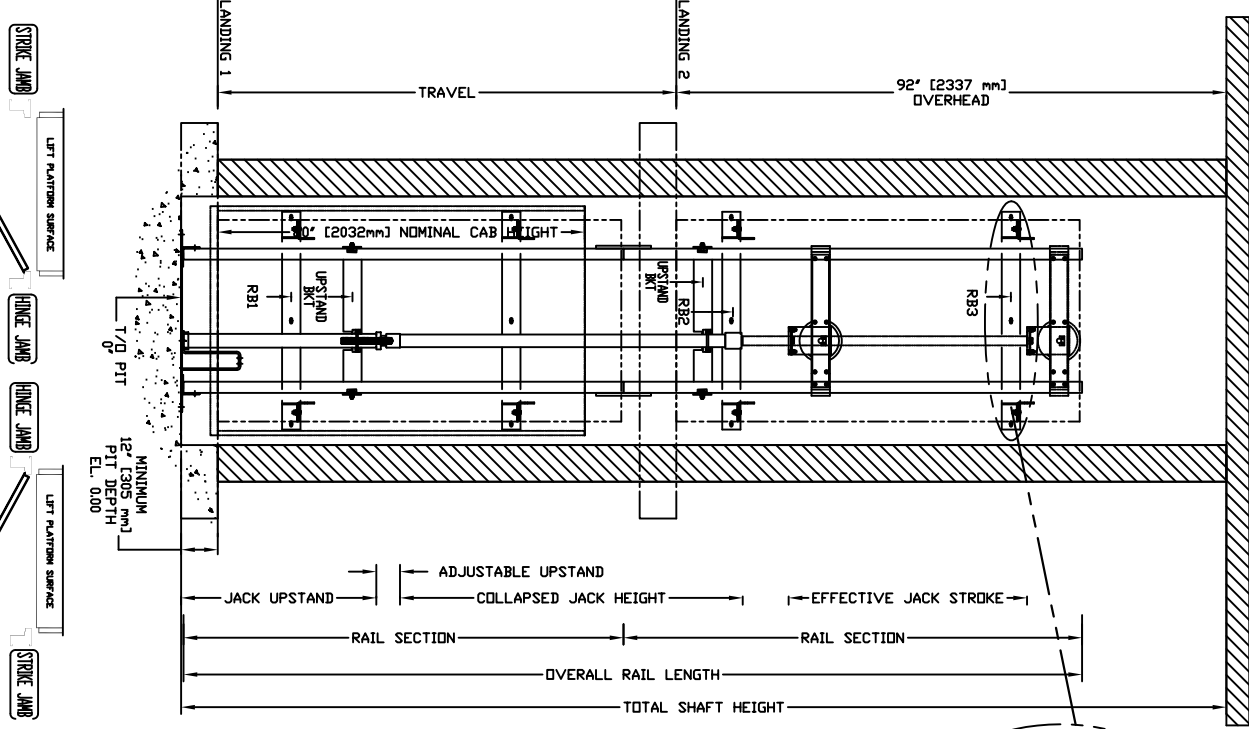
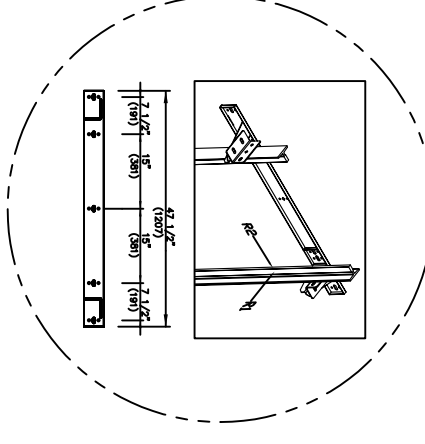


SECTIONAL VIEW - PROLIFT HD Model 4860 TYPE 5



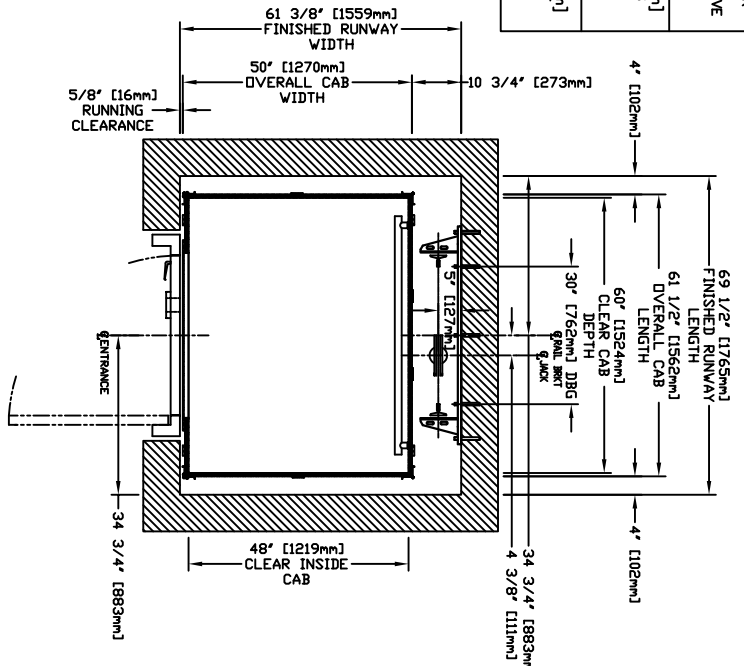
RAIL BRACKET



RAIL FORCES		CAPACITY	
*R1	*R2		
422. lb.f.	251.50 lb.f.	1400 lb.s.	
355.03 lb.f.	251.50 lb.f.	1000 lb.s.	
RAIL WEIGHT : 8.0 lbs / ft			

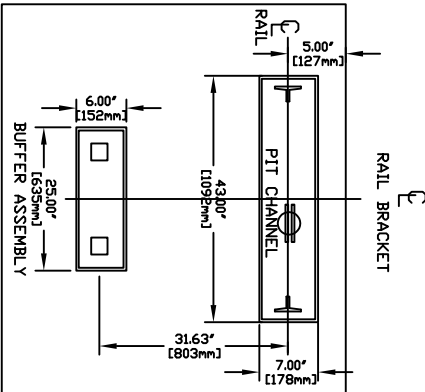
TOP RAIL BRACKET	INTERMEDIATE RAIL BRACKET	BOTTOM RAIL BRACKET	
R31	R32	R33	
AT TOP OF HOISTWAY CONSULT YOUR REPRESENTATIVE FOR EXACT LOCATION	48" [1219mm] INTERVALS ABOVE BOTTOM BRACKET	24" [610mm] ABOVE PIT FLOOR	

PLAN VIEW - PROLIFT HD Model 4860 TYPE 5



R3 NOTE:	
PIT FLOOR TO SUPPORT LOAD OF:	
* (INCLUDES IMPACT)	
CAPACITY	
8.22 Kips	1400 lb.s.
6.4 Kips	1000 lb.s.

FOR TOTAL PULL-OUT FORCE ON RAIL BRACKET, R1 MUST BE DOUBLED eg. 608 lb.f. for 1000 lbs.



HALL FIXTURE LOCATION  
LEFT HAND AS SHOWN  
RIGHT HAND OPPOSITE  
I. HALL BUTTON AT ALL FLOORS

LEFT HAND SWING  
RIGHT HAND SWING

COMMERCIAL WHEELCHAIR LIFT  
PROLIFT HD MODEL 4860 TYPE 5

CUSTOMER: \_\_\_\_\_ DATE: \_\_\_\_\_  
 PROJECT: \_\_\_\_\_ REVISION: \_\_\_\_\_  
 LOCATION: \_\_\_\_\_ COMPLETED BY: \_\_\_\_\_  
 JOB NO. \_\_\_\_\_ SHEET NO. \_\_\_\_\_

**savaria**