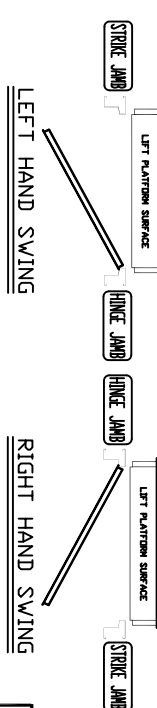
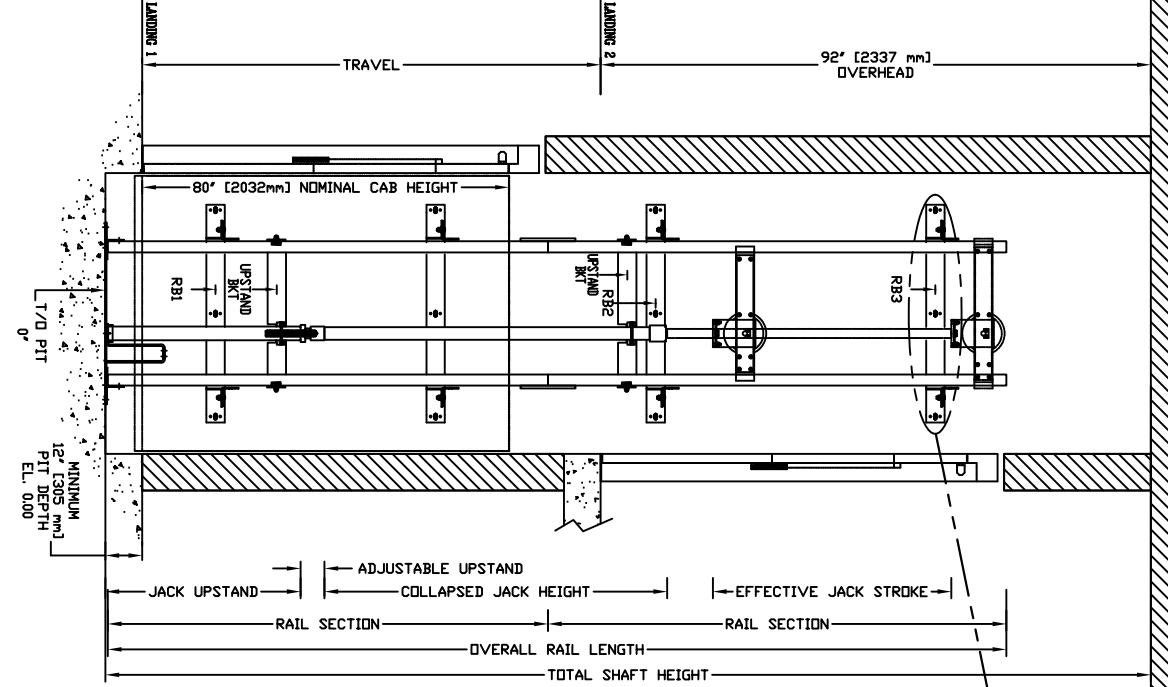
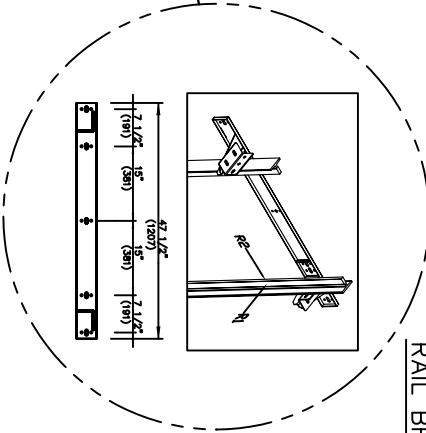


SECTIONAL VIEW - PROLIFT HD Model 4860 TYPE 2



DOCUMENT REVISION #0, DATE: 12/09/10

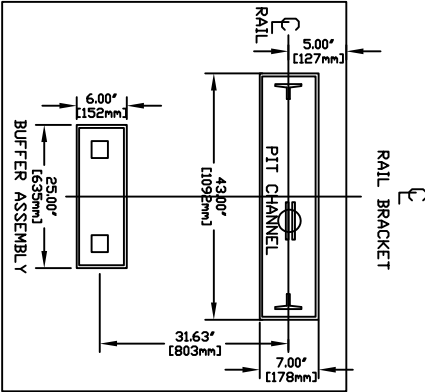
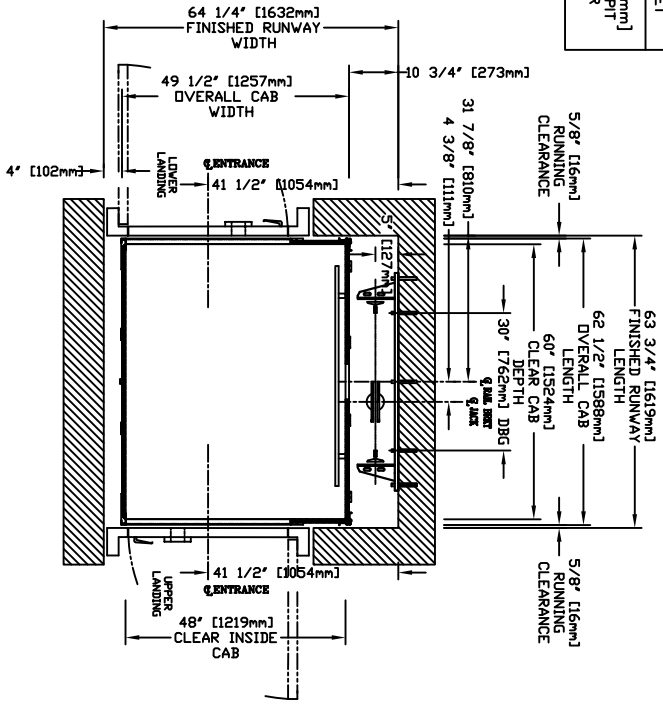
RAIL BRACKET



TOP RAIL BRACKET RB3	AT TOP OF HOISTWAY CONSULT YOUR REPRESENTATIVE FOR EXACT LOCATION
INTERMEDIATE RAIL BRACKET RB2	48" [1219mm] INTERVALS ABOVE BOTTOM BRACKET
BOTTOM RAIL BRACKET RB1	24" [610mm] ABOVE PIT FLOOR

RAIL FORCES		CAPACITY	
* R1	* R2	* R1	* R2
422 lbf.	251.50lbf.	1400 lbs.	1400 lbs.
355.03lbf.	251.50lbf.	1000 lbs.	1000 lbs.
RAIL WEIGHT : 80 lbs / ft			

PLAN VIEW - PROLIFT HD Model 4860 TYPE 2



R3 NOTE:

PIT FLOOR TO SUPPORT LOAD OF:  
\* (INCLUDES IMPACT)

CAPACITY	
822 kips	1400 lbs.
6.4 kips	1000 lbs.

FOR TOTAL PULL-OUT FORCE ON RAIL BRACKET, R1 MUST BE DOUBLED eg 608 lbf for 1000 lbs.

COMMERCIAL WHEELCHAIR LIFT  
PROLIFT HD MODEL 4860 TYPE 2

CUSTOMER: \_\_\_\_\_ DATE: \_\_\_\_\_  
 PROJECT: \_\_\_\_\_ REVISION: \_\_\_\_\_  
 LOCATION: \_\_\_\_\_ COMPLETED BY: \_\_\_\_\_  
 JOB NO. \_\_\_\_\_ SHEET NO. \_\_\_\_\_

**Savarria**

HALL FIXTURE LOCATION  
LEFT HAND AS SHOWN  
RIGHT HAND OPPOSITE  
I. HALL BUTTON AT ALL FLOORS