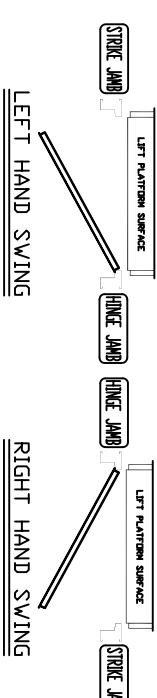
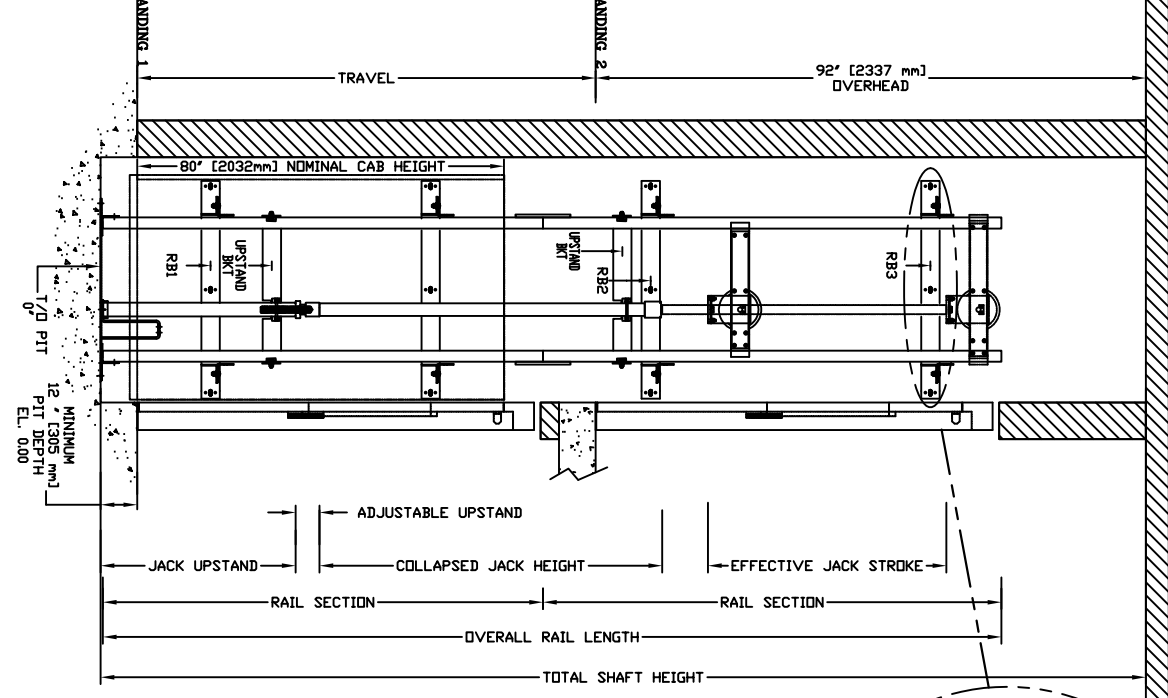
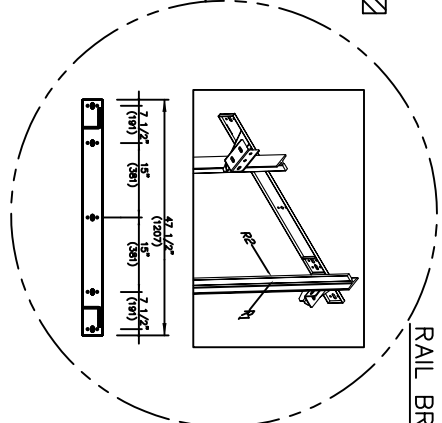


SECTIONAL VIEW - PROLIFT HD Model 4860 TYPE 1R



DOCUMENT REVISION #0. DATE: 12/09/10

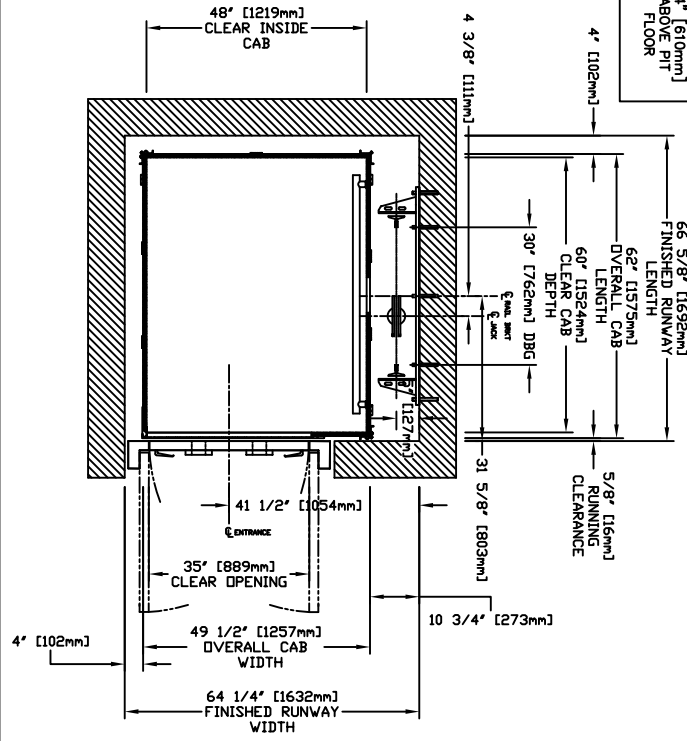


RAIL BRACKET

TOP RAIL BRACKET RB3	AT TOP OF HOISTWAY CONSULT YOUR REPRESENTATIVE FOR EXACT LOCATION
INTERMEDIATE RAIL BRACKET RB2	48" [1219mm] INTERVALS ABOVE BOTTOM BRACKET
BOTTOM RAIL BRACKET RB1	24" [610mm] ABOVE PIT FLOOR

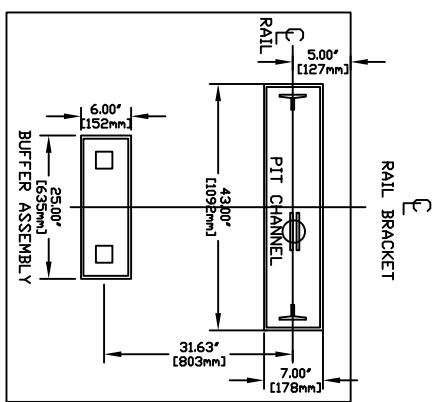
RAIL FORCES		
*R1	*R2	CAPACITY
422 lbf.	251,500lbf.	1400 lbs.
355,030lbf.	251,500lbf.	1000 lbs.
RAIL WEIGHT : 8.0 lbs / ft		

PLAN VIEW - PROLIFT HD Model 4860 TYPE 1R



R3 NOTE:		
PIT FLOOR TO SUPPORT LOAD OF: * (INCLUDES IMPACT)		
822 Kips	1400 lbs.	CAPACITY
6.4 Kips	1000 lbs.	

FOR TOTAL PULL-OUT FORCE ON RAIL BRACKET, R1 MUST BE DOUBLED eg 608 lbf for 1000 lbs.



HALL FIXTURE LOCATION
LEFT HAND AS SHOWN
RIGHT HAND OPPOSITE
↑ HALL BUTTON AT ALL FLOORS

COMMERCIAL WHEELCHAIR LIFT
PROLIFT HD MODEL 4860 TYPE 1R

CUSTOMER: _____ DATE: _____
 PROJECT: _____ REVISION: _____
 LOCATION: _____ COMPLETED BY: _____
 SHEET NO. _____