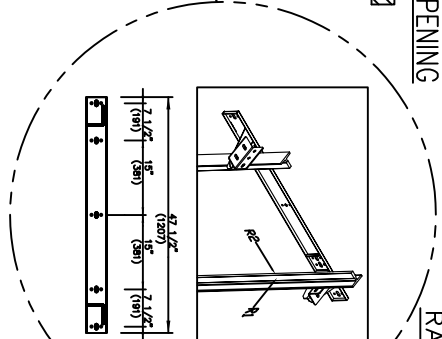
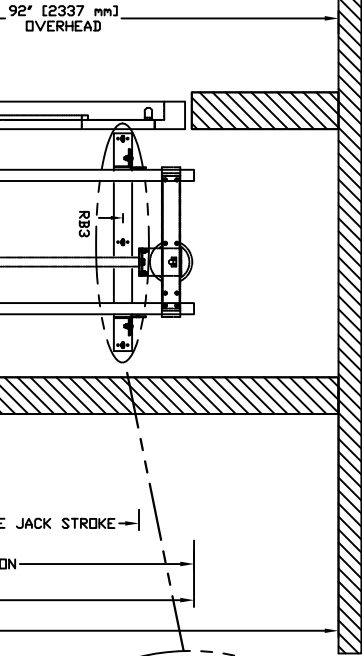


SECTIONAL VIEW - PROLIFT HD Model 4860 TYPE 4-42" OPENING

RAIL BRACKET

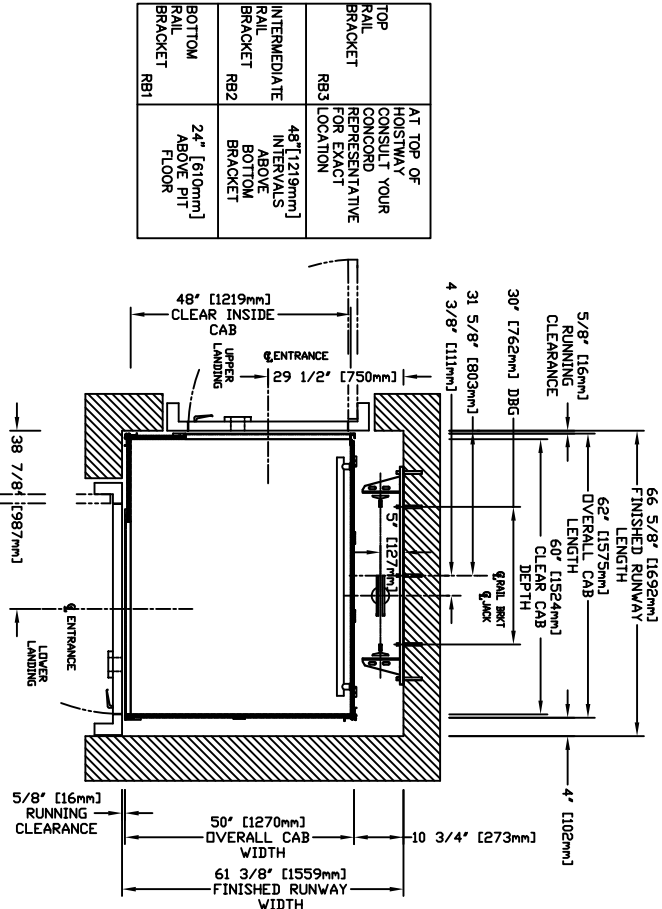


RAIL FORCES		
*R1	*R2	CAPACITY
422 lb.f.	251,50lb.f.	1400 lbs.
355,03lb.f.	251,50lb.f.	1000 lbs.
RAIL WEIGHT : 8.0 lbs / ft		

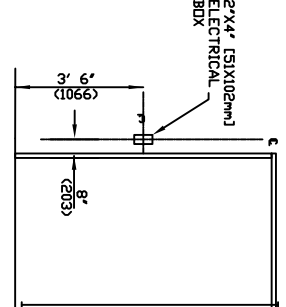
R3 NOTE:		
PIT FLOOR TO SUPPORT LOAD OF:		
* (INCLUDES IMPACT)		
CAPACITY		
8,22 Kips	1400 lbs.	
6,4 Kips	1000 lbs.	

FOR TOTAL PULL-OUT FORCE ON RAIL BRACKET, R1 MUST BE DOUBLED eg 608 lb.f for 1000 lbs.

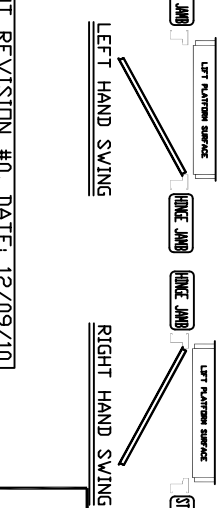
PLAN VIEW - PROLIFT HD Model 4860 TYPE 4-42" OPENING



TOP RAIL BRACKET	INTERMEDIATE RAIL BRACKET	BOTTOM RAIL BRACKET
RB3	RB2	RB1
AT TOP OF HOISTWAY CONSULT YOUR REPRESENTATIVE FOR EXACT LOCATION	48" [1219mm] INTERVALS ABOVE BOTTOM BRACKET	24" [610mm] ABOVE PIT FLOOR



HALL FIXTURE LOCATION  
LEFT HAND AS SHOWN  
RIGHT HAND OPPOSITE  
I. HALL BUTTON AT ALL FLOORS



COMMERCIAL WHEELCHAIR LIFT

CUSTOMER: \_\_\_\_\_  
PROJECT: \_\_\_\_\_  
LOCATION: \_\_\_\_\_

DATE: \_\_\_\_\_  
REVISION: \_\_\_\_\_  
COMPLETED BY: \_\_\_\_\_

JOB NO. \_\_\_\_\_

**Savarria**

SHEET NO. \_\_\_\_\_