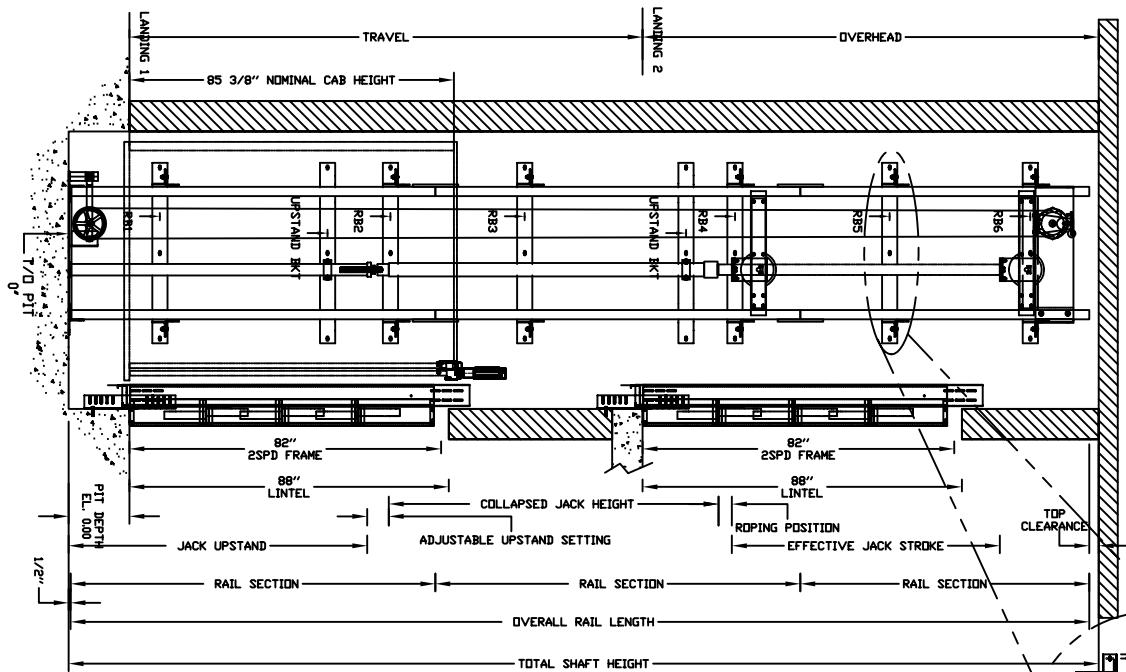
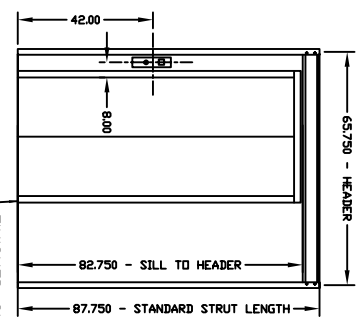
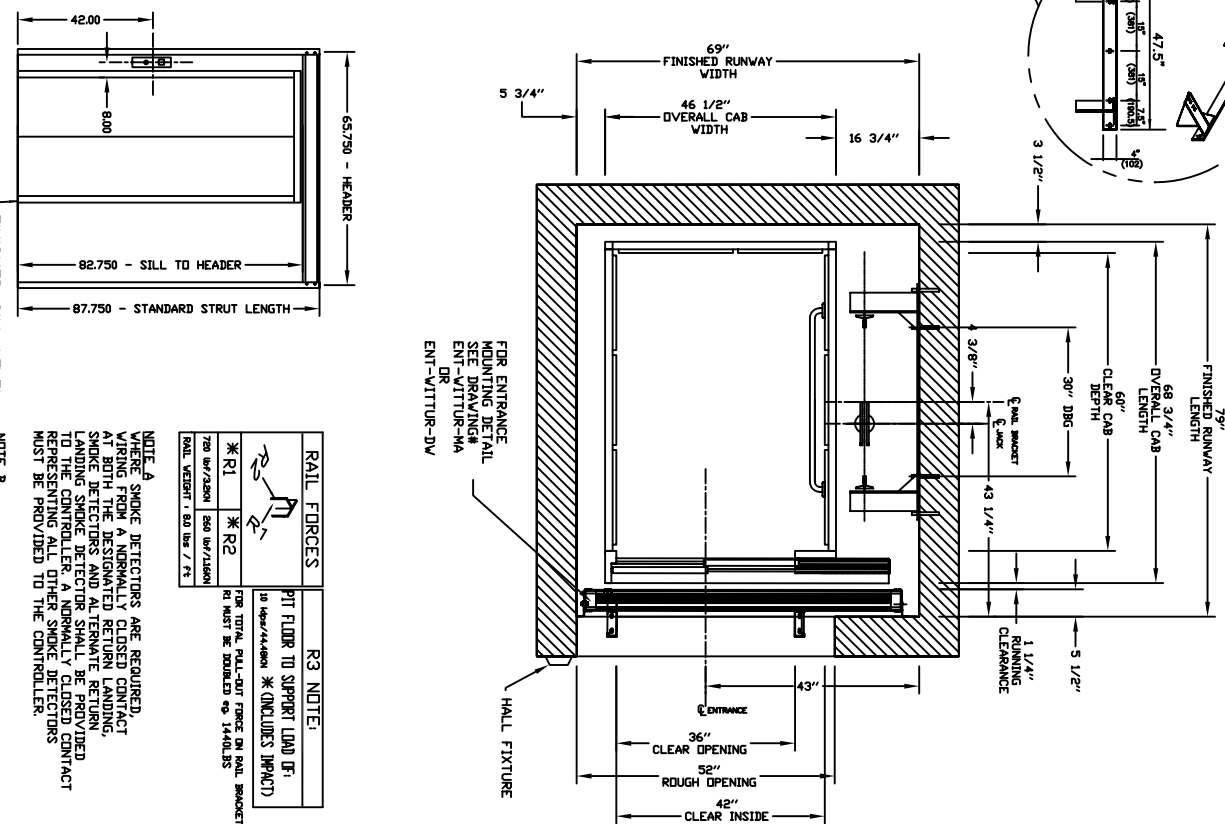


SECTIONAL VIEW - ORION-4260 (1R)



PLAN VIEW - ORION-4260 (1R) 2 SPEED WITTUR DOORS



RAIL FORCES		R3 NOTE:	
* R1	* R2	PIT FLOOR TO SUPPORT LOAD OF	
750 LB/2500'	500 LB/1500'	TO 400/44000' * (INCLUDES IMPACT)	
RAIL WEIGHT: 1.80 LB / FT		PI TOTAL PULL-OUT FORCE ON RAIL BRACKET	
		PI MUST BE DOUBLED UP 14400 LBS	

NOTE A: SHOCK DETECTORS ARE REQUIRED, WIRING FROM A NORMALLY CLOSED CONTACT AT BOTH THE DESIGNATED RETURN LANDING, SHOCK DETECTORS AND ALTERNATE RETURN LANDING SHOCK DETECTOR SHALL BE PROVIDED TO PRESENT A NORMALLY CLOSED CONTACT TO THE CONTROLLER.

NOTE B: ALL INFORMATION IS SUBJECT TO CHANGE. PLEASE REFERENCE OUR ON-LINE DRAWINGS AT WWW.CONCORD-ELEVATOR.COM FOR THE MOST RECENT UPDATES.

PROVISIONS BY OTHERS

***GENERAL**
 HOISTWAY - THE HOISTWAY MUST BE IN ACCORDANCE WITH SAFETY CODE FOR ELEVATORS (ASME A17.1 OR B44-2000) AND ALL STATE/PROVINCIAL AND LOCAL CODES.

PLUMB HOISTWAY - DUE TO CLOSE RUNNING CLEARANCES, DIVER/AGENT MUST ENSURE THAT SUSTAIN AND PIT WERE PROVIDED THE LEVEL PLUMB AND SQUARE AND ARE IN ACCORDANCE WITH THE DIMENSIONS ON THESE DRAWINGS.

MINIMUM OVERHEAD CLEARANCE - DIVER/AGENT MUST ENSURE MINIMUM OVERHEAD CLEARANCE IS IN COMPLIANCE WITH CODES. CONSTRUCTION SITE - DIVER/AGENT TO PROVIDE ALL MASONRY, CARPENTRY AND BRICK/VAULT WORK AS REQUIRED AND SHALL PATCH AND MAKE GOOD INCLUDING FINISH PAINTING ALL AREAS WHERE WALLS/FLOORS MAY REQUIRE TO BE CUT, DRILLED OR ALTERED IN ANY WAY TO PERMIT THE PROPER INSTALLATION OF THE LIFT.

***DIMENSIONS**
 CONTRACTOR/CUSTOMER TO VERIFY ALL DIMENSIONS AND REPORT ANY DISCREPANCIES TO OUR OFFICE IMMEDIATELY.

***STRUCTURAL**
 FLOOR/SUPPORT WALL LOADS - STRUCTURAL ENGINEER TO ASSURE THAT BUILDING AND SHAFT WALL SUPPORT ALL LOADS IMPOSED BY THE LIFT EQUIPMENT. REFER TO THE TABLES ON THIS DRAWING FOR LOADS IMPOSED BY THE EQUIPMENT.

DOORS - SUITABLE LINTELS MUST BE PROVIDED BY DIVER/AGENT. DOOR FRAMES ARE NOT DESIGNED TO SUPPORT OVERHEAD WALL LOADS.

***MACHINE ROOM**
 LOCATION / ACCESS - MACHINE ROOM LOCATED AT THE LOWEST LEVEL ADJACENT TO HOISTWAY UNLESS SHOWN OTHERWISE ON THE LAYOUT DRAWINGS. FIELD ADJUSTMENT BY INSTALLER MAY BE NECESSARY TO MEET JOB SITE CONDITIONS OR REGULATIONS. ACCESS TO MACHINE ROOM TO BE THROUGH A SELF CLOSING AND SELF LOCKING DOOR.

SLEEVES FOR OIL & ELECTRIC LINES - PROVIDED BY OTHERS, FROM MACHINE ROOM TO HOISTWAY. POSITION PER INSTALLERS INSTRUCTIONS.

INPUT VOLTAGE (V/PH/CT/LED)	DISCONNECT SIZE (AMPS)	FUSE (AMPS)	FULL LOAD CURRENT (AMPS)
MOTOR INFQ	208/3PH/60HZ	30	15.6
	230/1PH/60HZ	50	21
CAB LIGHTS	115/1PH	15	

***ELECTRICAL**
 POWER SUPPLY - (SEE SPECIFICATIONS) LOCKABLE FUSED DISCONNECT WITH AUXILIARY CONTACT TO BRAKE THE BATTERY FEED, OR CIRCUIT BREAKERS WITH A 3-POLE BREAKER FOR BATTERY FEED REQUIRED, IN COMPLIANCE WITH ELECTRICAL CODE, AS FOLLOWS: (LOCATED ON WALL ON LOCK JAMB SIDE OF MACHINE ROOM DOOR) PERMANENT POWER - BEFORE INSTALLATION CAN BEGIN, PERMANENT POWER MUST BE SUPPLIED.

LIGHTING - DIVER/AGENT TO ENSURE AT LEAST 5 FTC OR 54 LUX AMBIENT LIGHTING OVER ELEVATOR AREA.

***ENTRANCES**
 FASCIA PANEL, BELOW UPPER LEVEL, ENTRANCE - WHERE REQUIRED, FASCIA PANEL MUST BE FASTENED TO A SOLID WALL AND BE PERPENDICULAR TO THE FLOOR AND WALLS. HOISTWAY FASCIA IS NOT SELF-SUPPORTING FOR LONG, CONTINUOUS RUNS VOID OF ENTRANCES. ADEQUATE SUPPORT AND THE FASCIA MUST BE PROVIDED BY OTHERS.

ENTRANCE ASSEMBLIES - ENTRANCE ASSEMBLIES MUST BE ADJUSTED TO ALIGN WITH PLATFORM AND INTERLOCK EQUIPMENT. OTHERS TO ALLOW AN ADEQUATE ROUGH OPENING.

RETURN WALLS - RETURN WALLS AT ENTRANCES MUST BE BUILT-IN BY OTHERS AFTER ENTRANCE ASSEMBLIES ARE IN PLACE. ENTRANCE ASSEMBLY MUST BE SECURELY FASTENED TO WALLS BY ELEVATOR CONTRACTOR.

PIT / OVERHEAD REQUIREMENTS			
MAX. SPEED (FT/MIN)	PIT	TOTAL OVERHEAD TRAVEL	NEW BLDG EXISTING BLDG
30	14" ***	131" (3327)	120" (3048)

*** NOTE: Additional pit equipment required when over 36" deep, consult your local dealer for details



LU/LA
 ORION MODEL 4260 (1R)
 REV-000