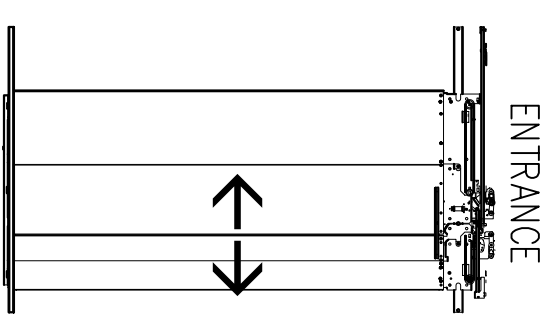
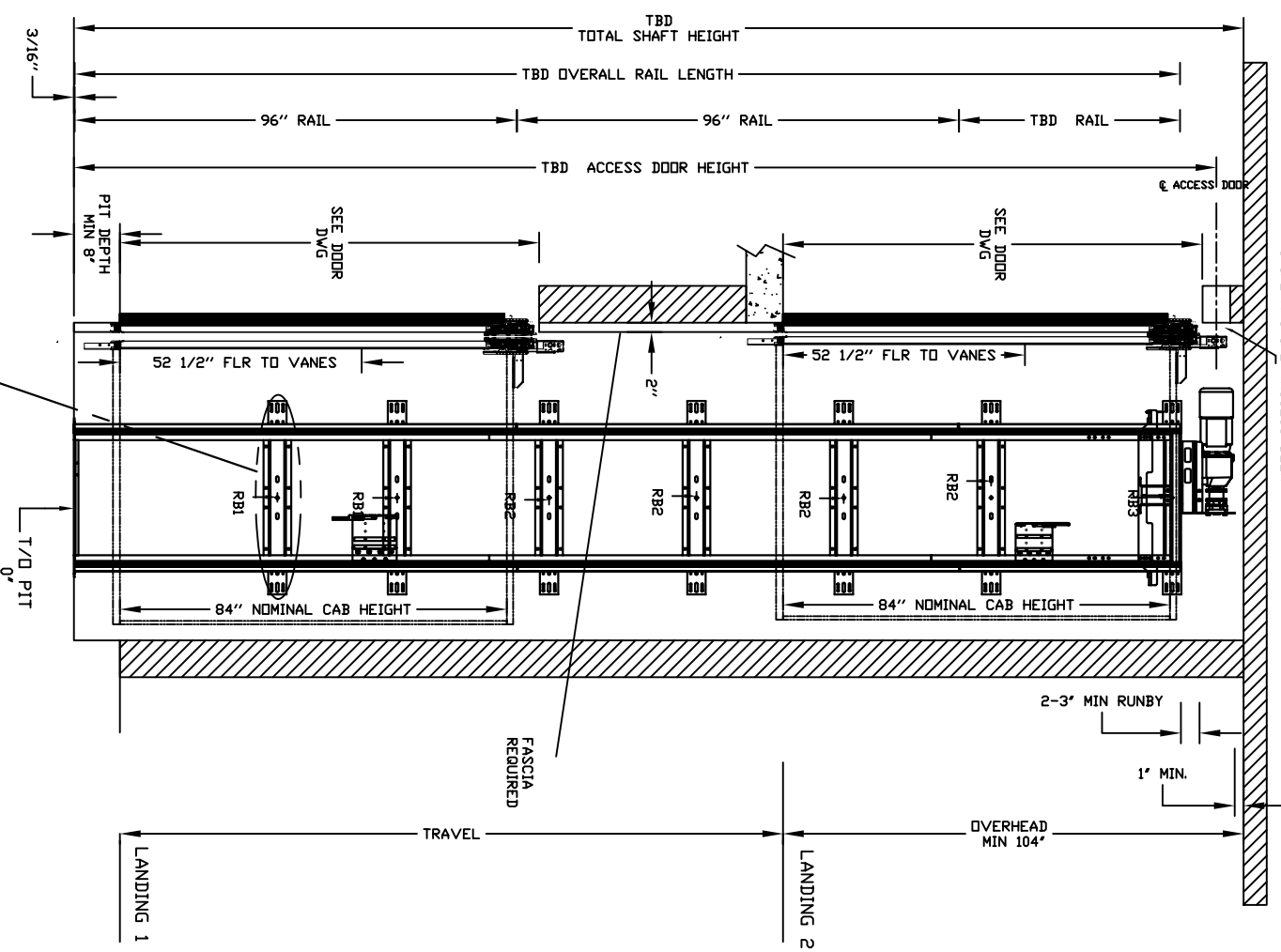


ECLIPSE AUTO SLIM DOORS Model TYPE 1L

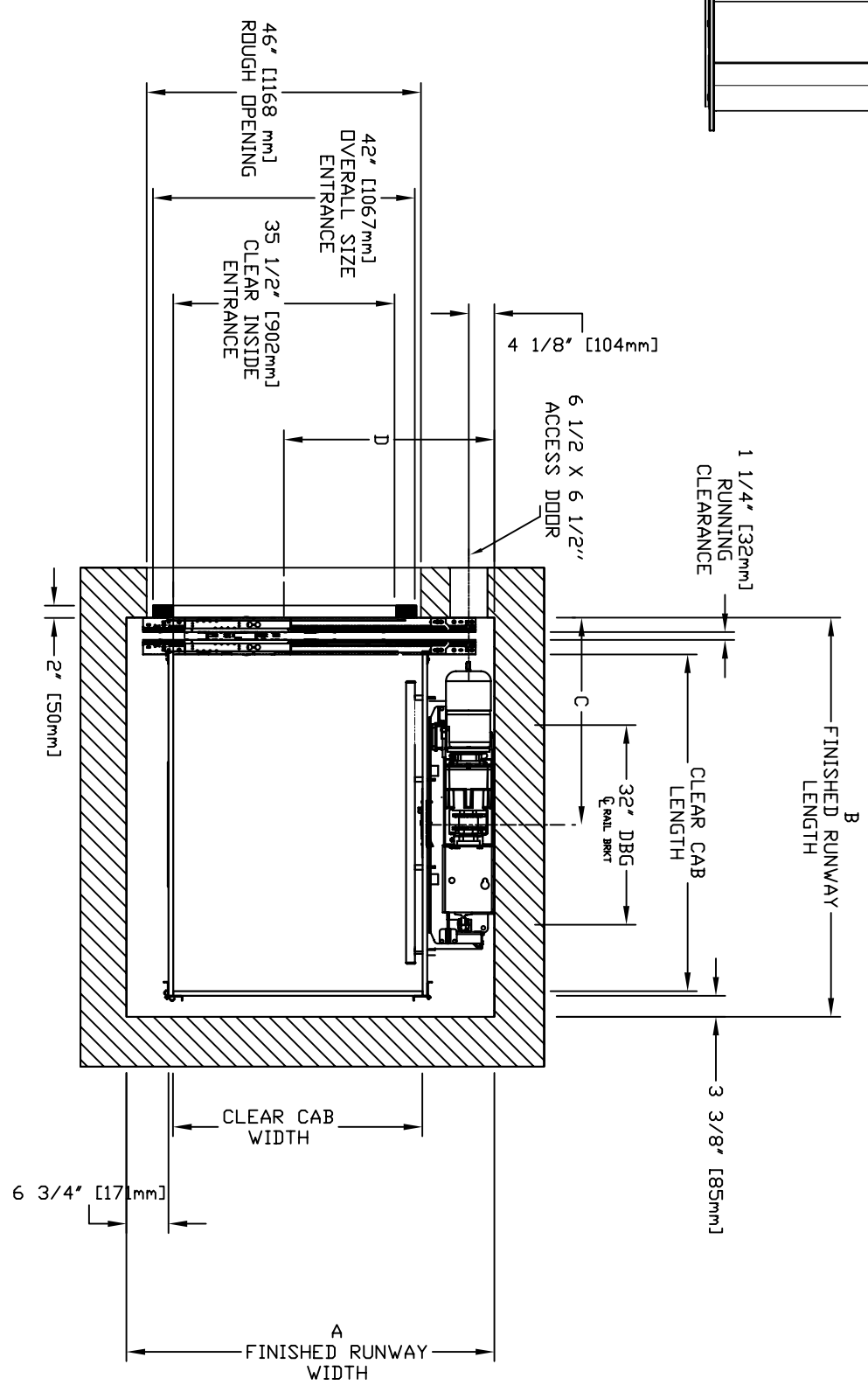
6 1/2" x 6 1/2" ACCESS DOOR



ENTRANCE

CHARACTERISTICS

- CAB DOOR TYPE: AUTO SLIM 2 SPEED DOORS
- ENTRANCE DOOR TYPE: AUTO SLIM 2 SPEED DOORS
- 2 SPEED DOORS FINISH: PAINT OR STAINLESS STEEL
- FULLY AUTOMATIC OPERATION TO OPEN THE DOORS UPON ARRIVAL AT THE LANDING
- LIGHTWEIGHT ALUMINUM SILL
- EMERGENCY BACK-UP BATTERY SYSTEM
- INFRARED DETECTION SYSTEM TO RETRACT DOORS BEFORE HITTING AN OBSTRUCTION



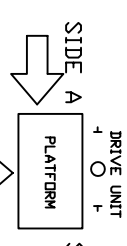
CLEAR INSIDE CAB WIDTH	CLEAR INSIDE CAB LENGTH	A FINISHED RUNWAY WIDTH		B FINISHED RUNWAY LENGTH		C RAIL CENTER LINE		D DOOR CENTER LINE			
		mm	Inches	mm	Inches	mm	Inches	mm	Inches		
914	36	1219	48	1499	59	1473	58	794	31 1/4	838	33
914	36	1372	54	1499	59	1626	64	845	33 1/4	838	33
914	36	1524	60	1499	59	1778	70	921	36 1/4	838	33
1016	40	1372	54	1524	60	1626	64	845	33 1/4	883	34 3/4

DOCUMENT REVISION 001, DATE: 11/18/10

RESIDENTIAL ELEVATOR

ECLIPSE SLIMS DOORS TYPE 1L

ENTRANCE SIDE LEGEND

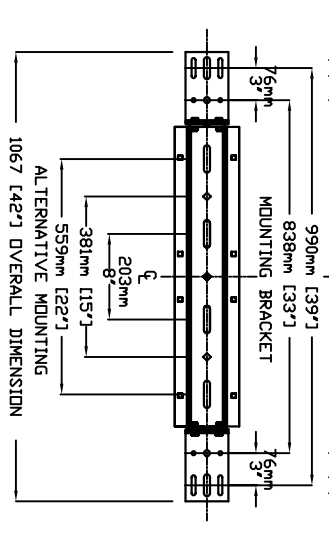


RAIL FORCES



*R1	*R2
138.2 kg [304 lbf]	88.2 kg [194 lbf]
RAIL ASSY WEIGHT: 180 lbs / f+1	245 kg / f+1
PIT FORCE: R3	
PIT FLOOR TO SUPPORT LOAD (EXCLUDES IMPACT): 2909 kg [6400 lbf]	

CANNOT HAVE HABITABLE SPACE BELOW PIT



MOUNTING BRACKET
4 WALL ANCHOR POINTS MIN. PER BRACKET
2 PER SIDE OF RAIL BRACKET CENTER LINE
PULL OUT FORCE PER FASTENER 69 kg [152 LBS]

FINAL RAIL BRACKET	BELOW THE MOTOR CONCORD REPRESENTATIVE FOR EXACT LOCATION
R3	
INTERMEDIATE RAIL BRACKET	INTERVALS AFTER 2nd BOTTOM BRACKET
R2	32" [813mm]
BOTTOM RAIL BRACKET	39" [991mm] & 71" [1804mm] ABOVE PIT FLOOR
R1	

ALL INFORMATION IS SUBJECT TO CHANGE.
PLEASE REFERENCE OUR ON-LINE DRAWINGS AT
WWW.SAVARIA.COM FOR THE MOST RECENT UPDATES

THE INFORMATION DISCLOSED HEREIN IS THE EXCLUSIVE PROPERTY OF
savaria
AND MAY NOT BE USED BY OTHERS WITHOUT PRIOR WRITTEN CONSENT

SHEET# 1/1